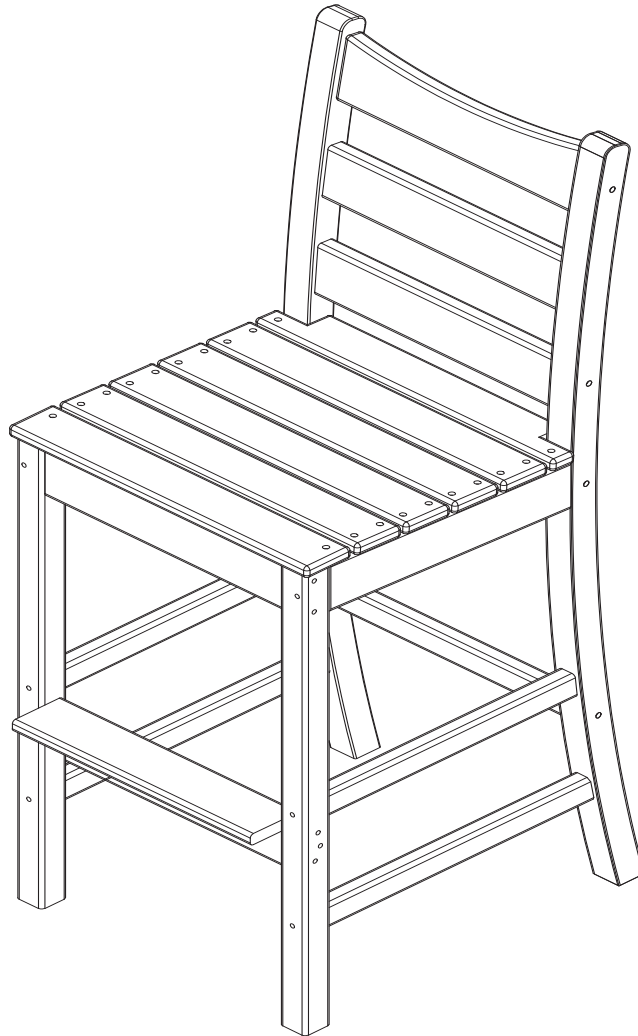


Bar Chair

OD-BRC01-30



Assembly Instructions

v2



NewTechWood

Important Note

Please Read All Sections Carefully Before You Start

For the most up to date information, please visit our website @ www.newtechwood.com

1. Parts

Before assembling, please check the packing parts carefully according to the sections on **pages 2 & 3**, "**Tools**", "**Fasteners**" and "**Components**" of this Assembly Instruction sheet. If parts are missing, please contact the retailer from which you acquired this chair to get the missing parts.

2. Safety

2.1 It is recommended to wear appropriate safety equipment to avoid any risk of injuries but it is not limited to the following safety equipment when assembling the Bar Chair: gloves, safety shoes, safety goggles, long sleeves, and pants.

2.2 We recommended assembling the Bar Chair by two people to avoid any risk of injuries. **DO NOT** attempt assembling by one person.

2.3 The Bar Chair is not designed for use as a standing platform or a ladder. **DO NOT** stand on the chair as there is a risk of falling and injury.

3. Tools

Always use the proper tools for assembly.

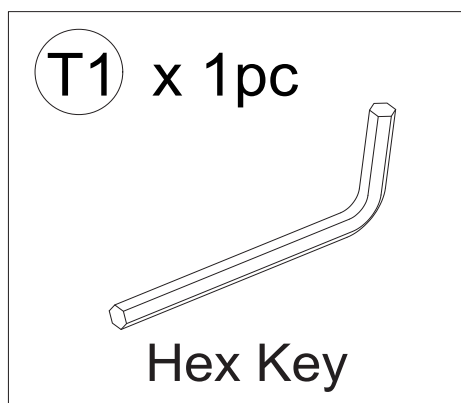
4. Assembling Procedure

4.1 Please follow the steps of the Assembly Instructions sheet in order.

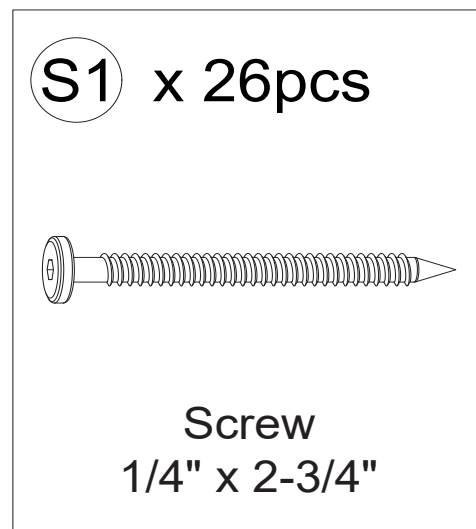
4.2 **DO NOT** tighten all the screws until all the parts are in place and assembling in alignment. Otherwise, it should cause the assembly to be misaligned. It is recommended to turn back the screws in half-turn when the head of the screws touches the parts before tightening all the screws in order.

Warranty: Please visit our website for full warranty @ www.newtechwood.com

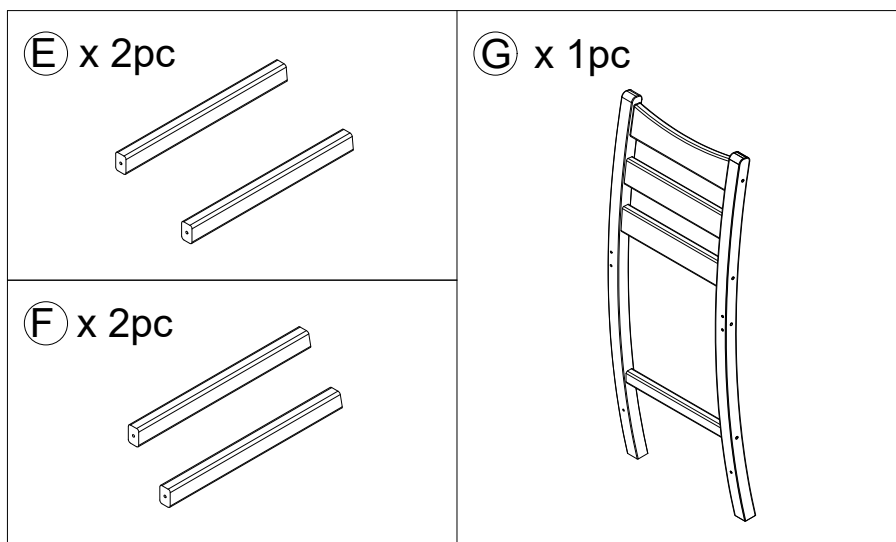
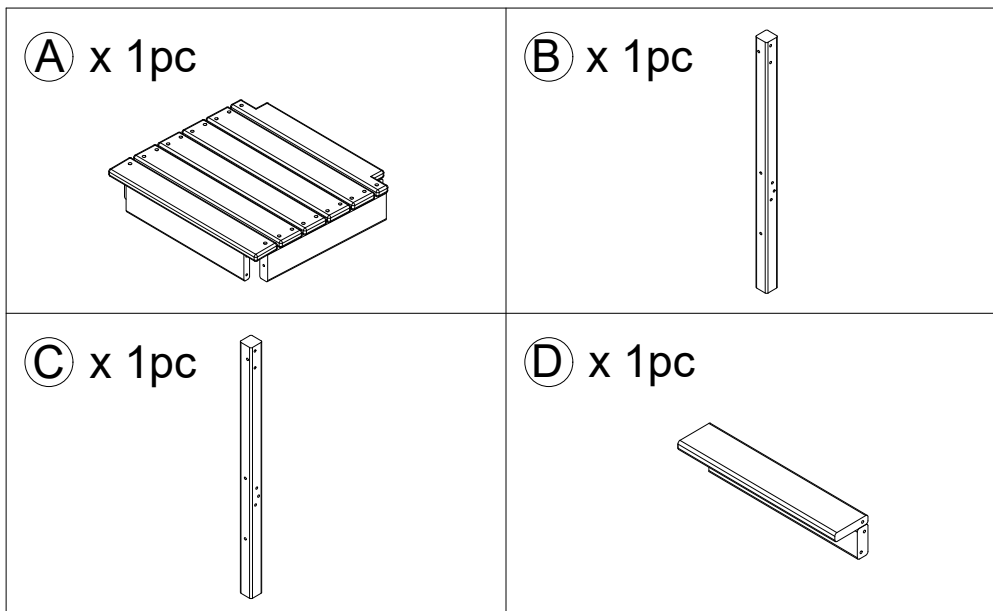
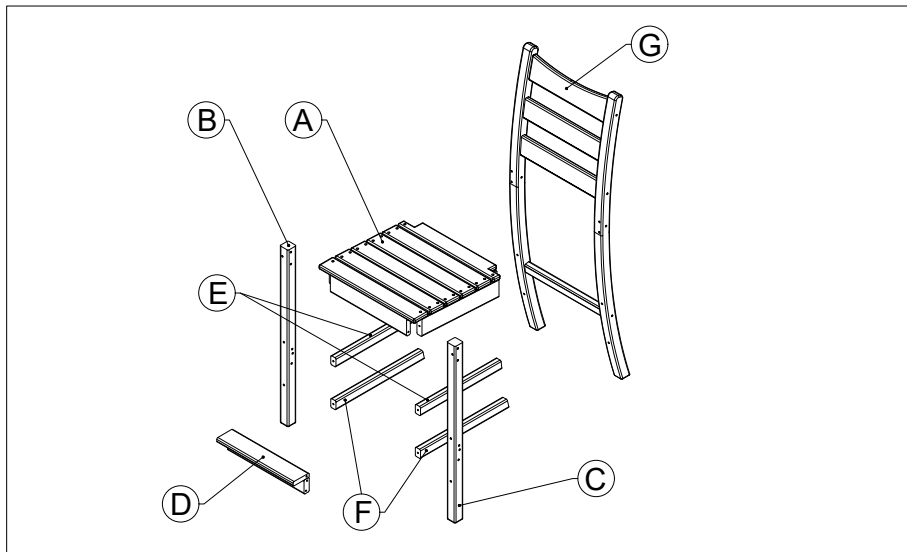
Tools



Fasteners

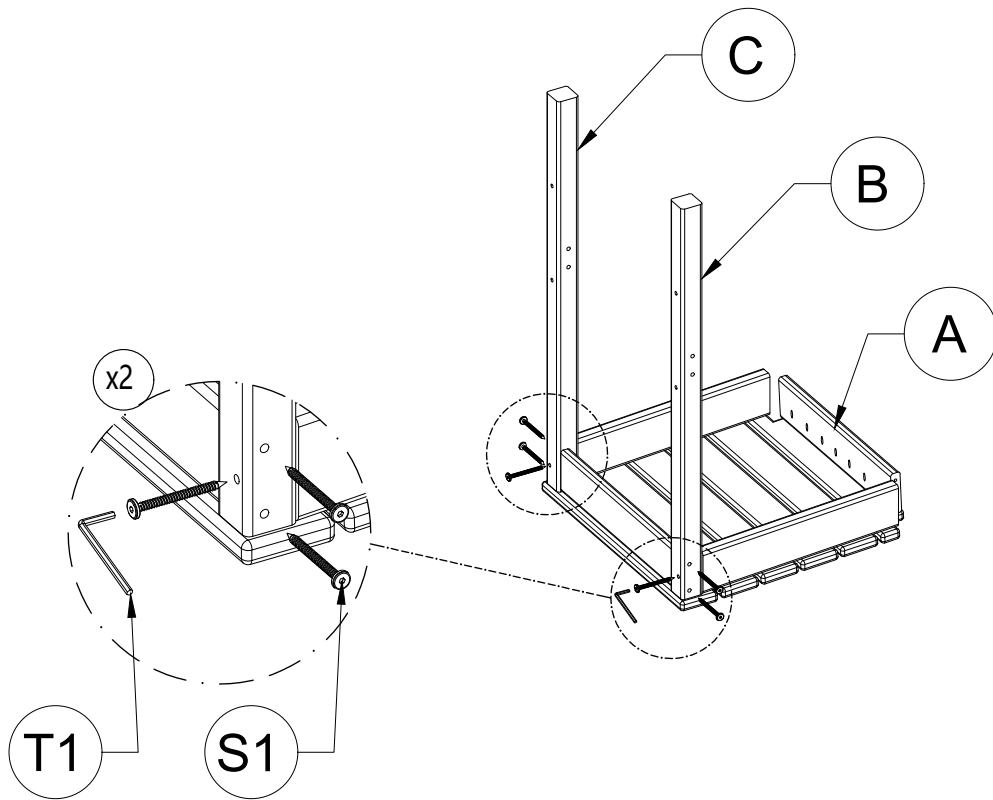


Components

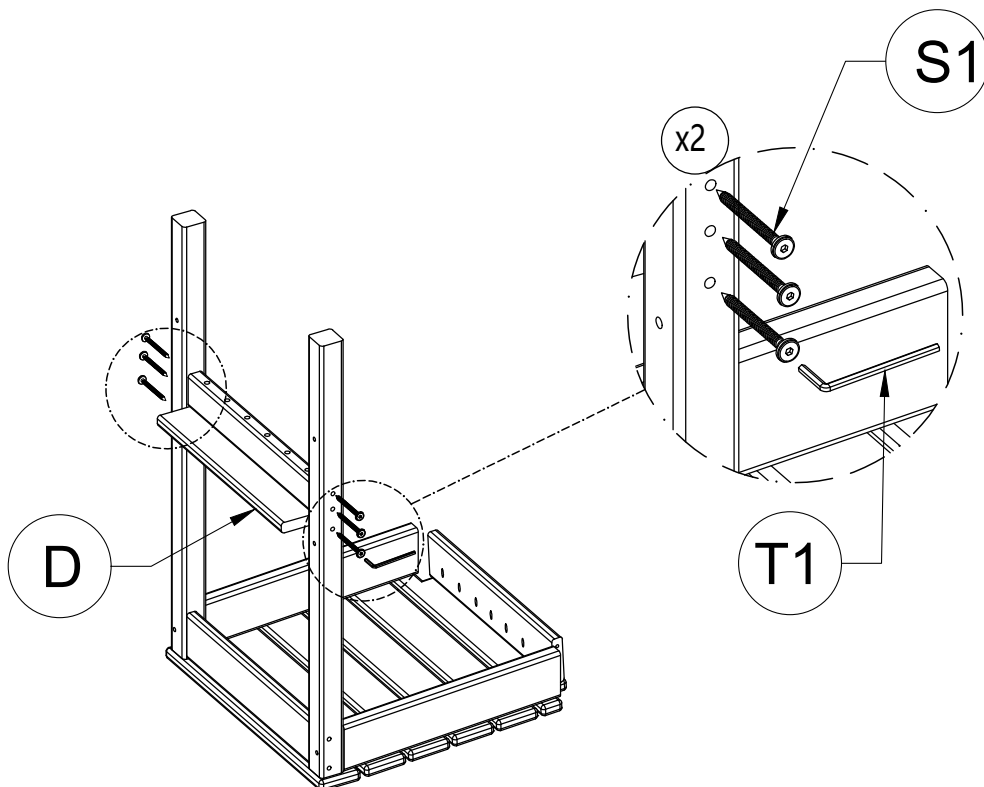


Assembling Procedure

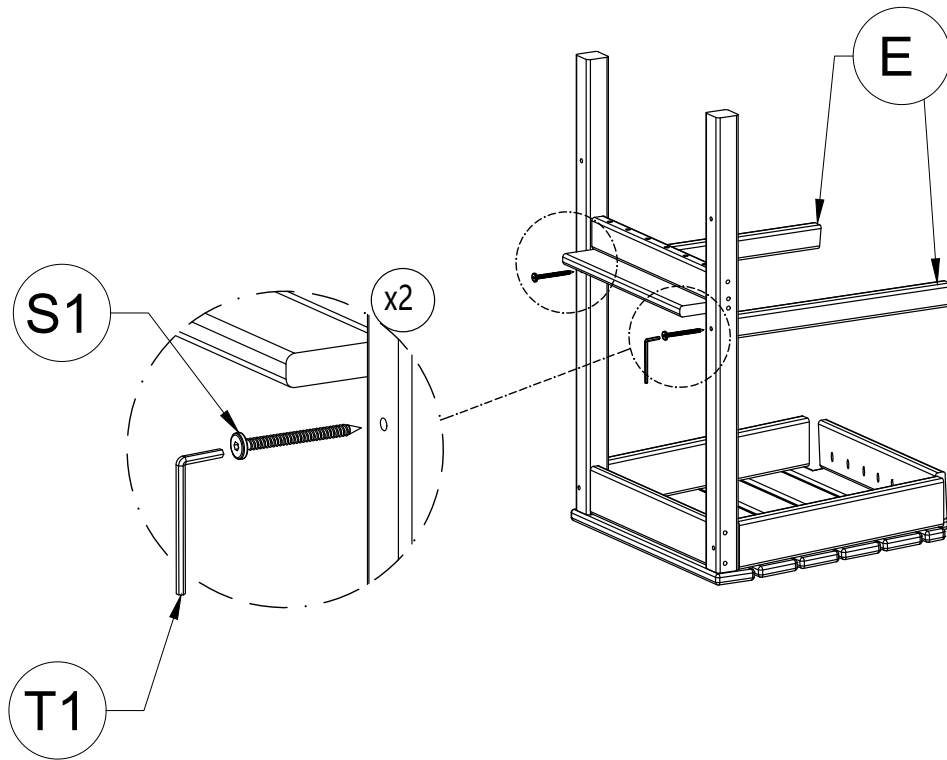
Step 1



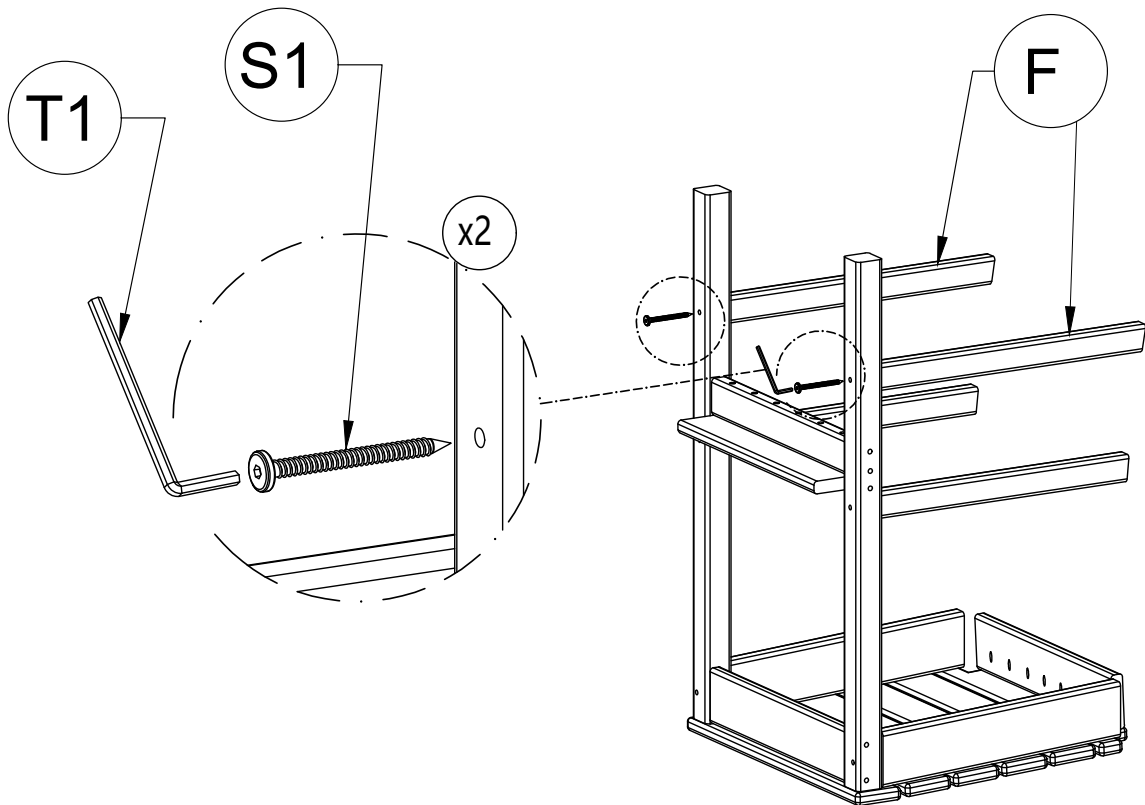
Step 2



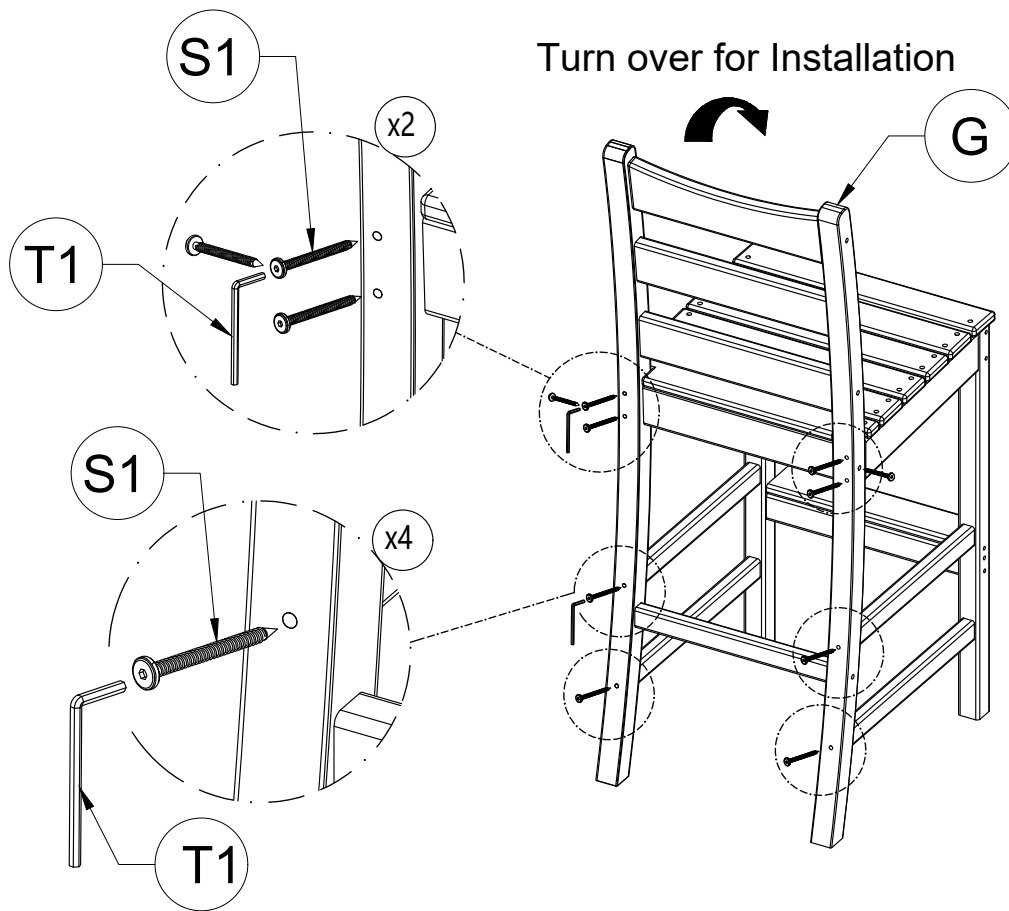
Step 3



Step 4



Step 5



Thank You

For Your Purchase

We want you to be completely satisfied