

BBQ Table

OD-DIT-723-22



Assembly Instructions

022525 US



NewTechWood

Important Note

Please Read All Sections Carefully Before You Start

For the most up to date information, please visit our website @ www.newtechwood.com

1. Parts

Before assembling, please check the packing parts carefully according to the sections on [page 2](#) and [page 3](#), "[Tools](#)", "[Fasteners](#)" and "[Components](#)" of this Assembly Instruction sheet. If parts are missing, please contact the retailer from which you acquired this table to get the missing parts.

2. Safety

2.1 It is recommended to wear appropriate safety equipment to avoid any risk of injuries but it is not limited to the following safety equipment when assembling the BBQ Table: gloves, safety shoes, safety goggles, long sleeves, and pants.

2.2 We recommended assembling the BBQ Table by two people to avoid any risk of injuries. **DO NOT** attempt assembling by one person.

2.3 The BBQ Table is not designed for use as a standing platform. **DO NOT** stand on the table as there is a risk of falling and injury.

3. Tools

Always use the proper tools for assembly.

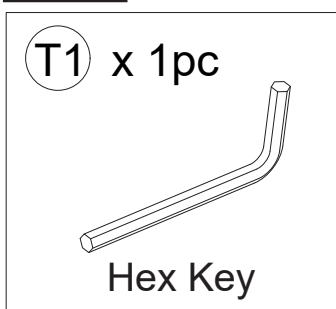
4. Assembling Procedure

4.1 Please follow the steps of the Assembly Instructions sheet in order.

4.2 **DO NOT** tighten all the screws until all the parts are in place and assembling in alignment. Otherwise, it should cause the assembly to be misaligned. It is recommended to turn back the screws in half-turn when the head of the screws touches the parts before tightening all the screws in order.

Warranty: Please visit our website for full warranty @www.newtechwood.com

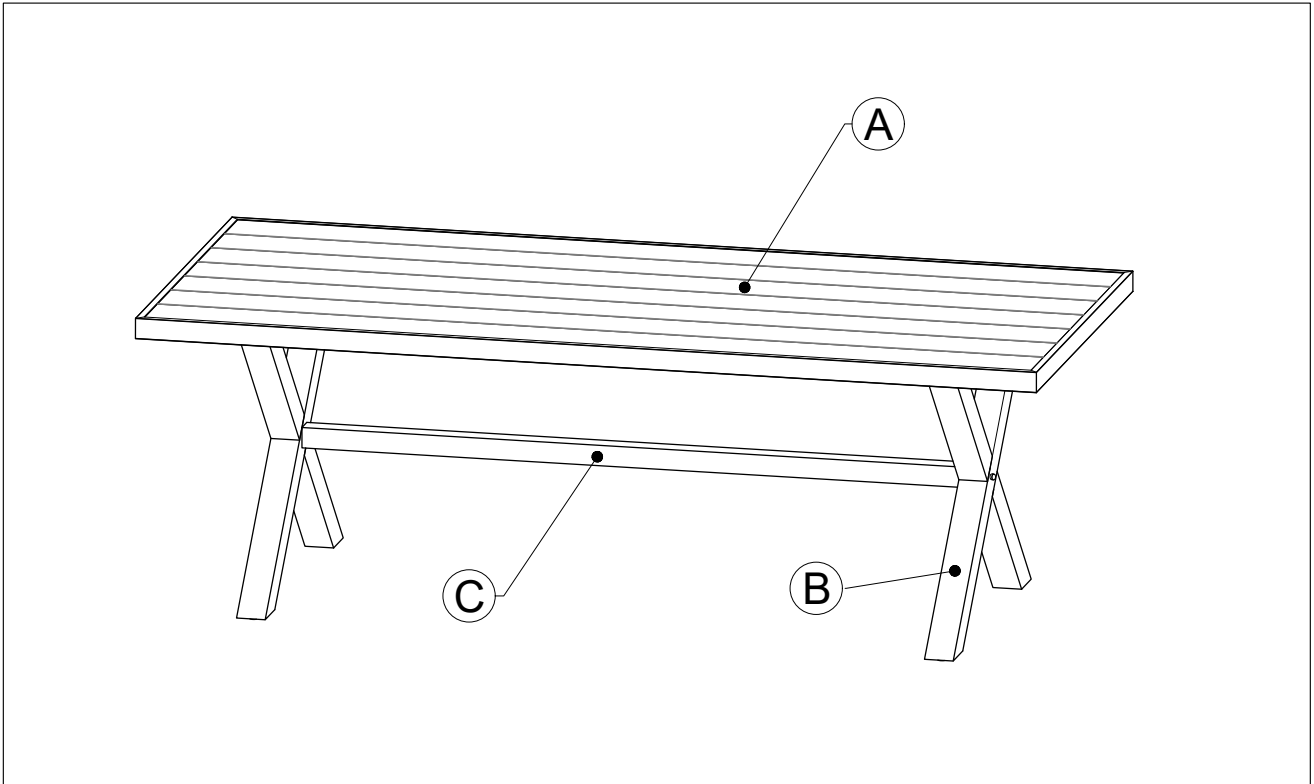
Tools



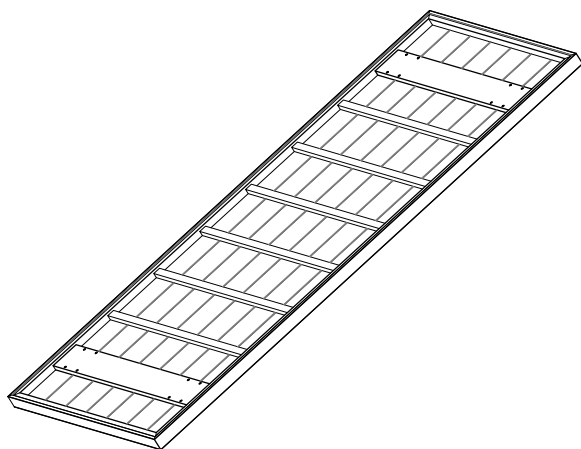
Fasteners

<p>S1 x 16pcs</p> <p>Screw M6 x 11/16"</p>	<p>S2 x 2pcs</p> <p>Screw M6 x 3-9/16"</p>	<p>S3 x 16pcs</p> <p>Spring Washer</p>	<p>S4 x 18pcs</p> <p>Shim</p>	<p>S5 x 2pcs</p> <p>Screw Cap</p>	<p>S6 x 2pcs</p> <p>Tube Sleeve</p>
--	--	--	-------------------------------	-----------------------------------	-------------------------------------

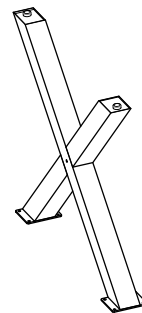
Components



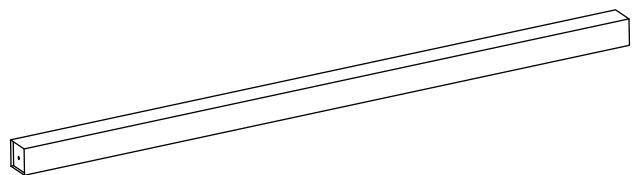
Ⓐ x 1pc



Ⓑ x 2pcs

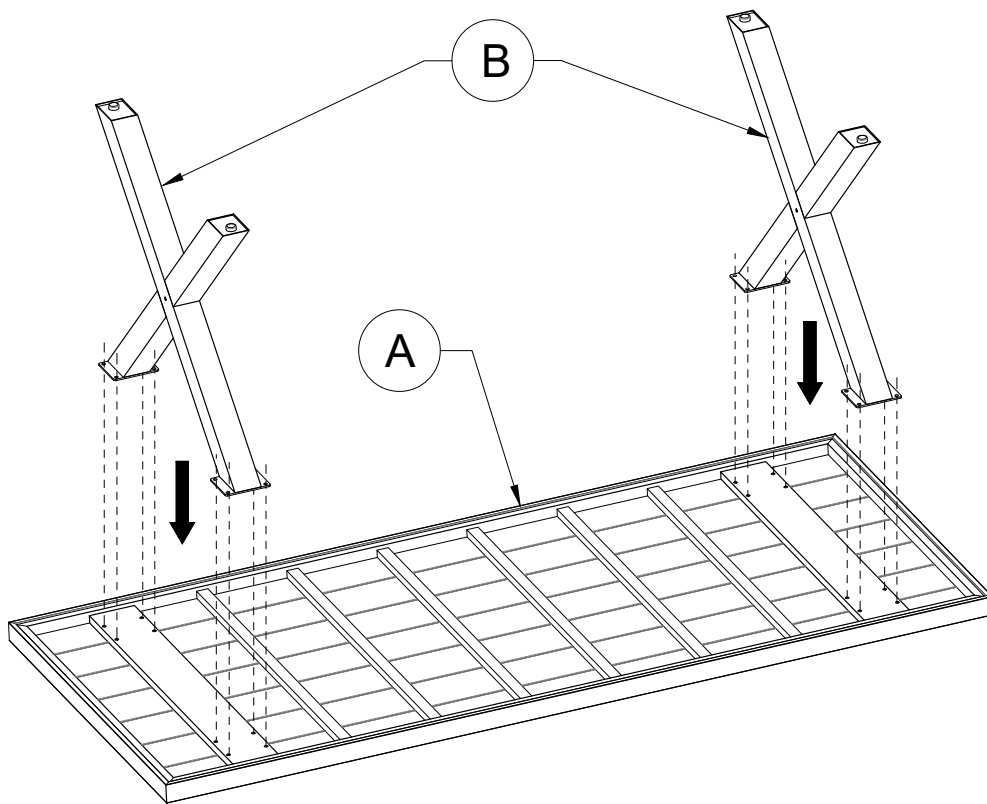


Ⓒ x 1pc

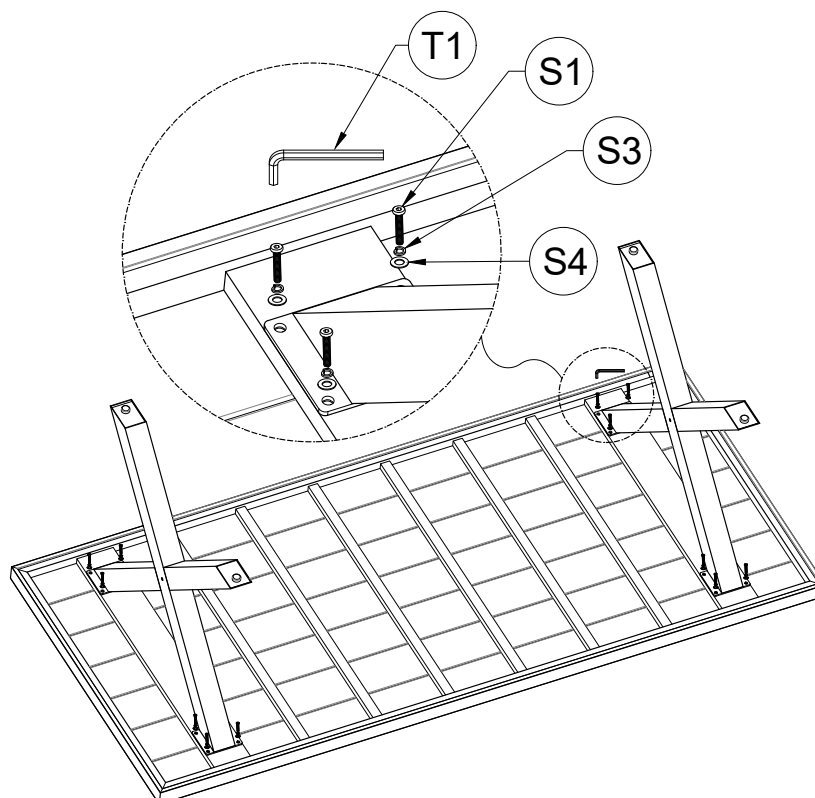


Assembling Procedure

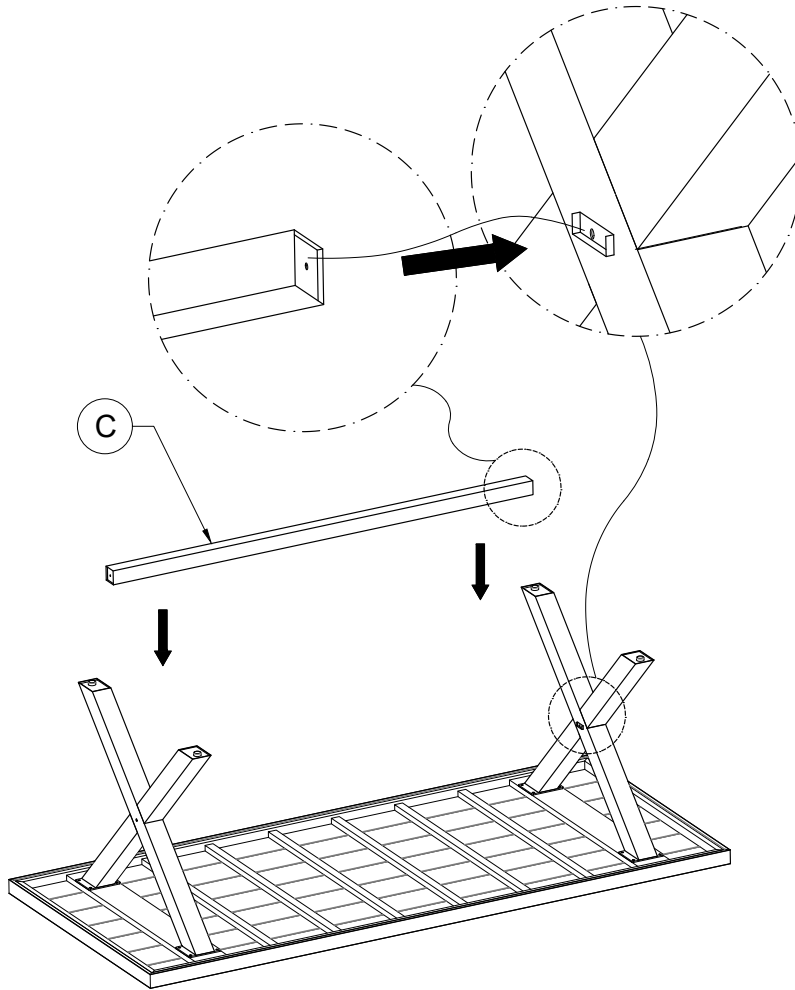
Step 1



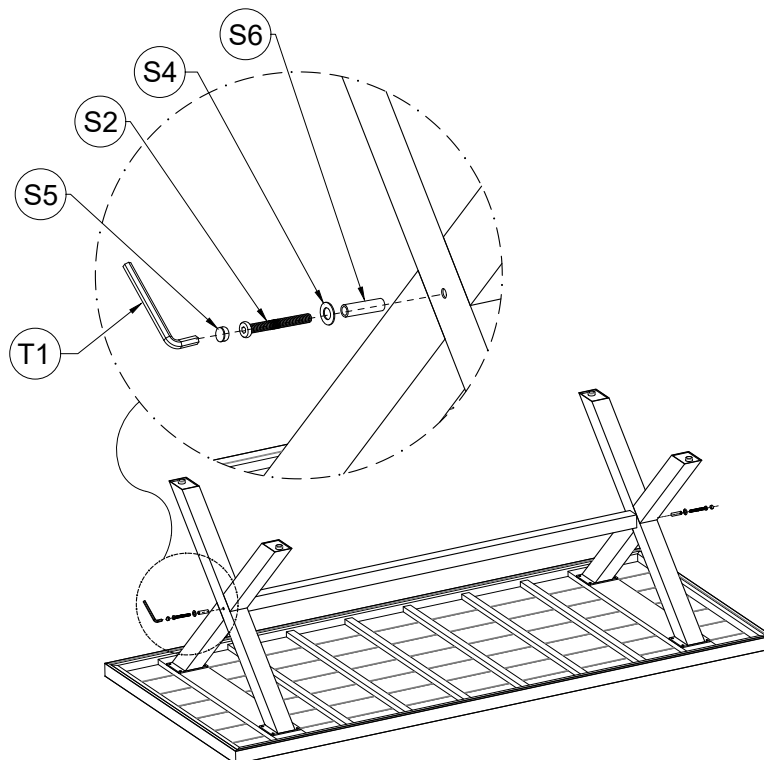
Step 2



Step 3

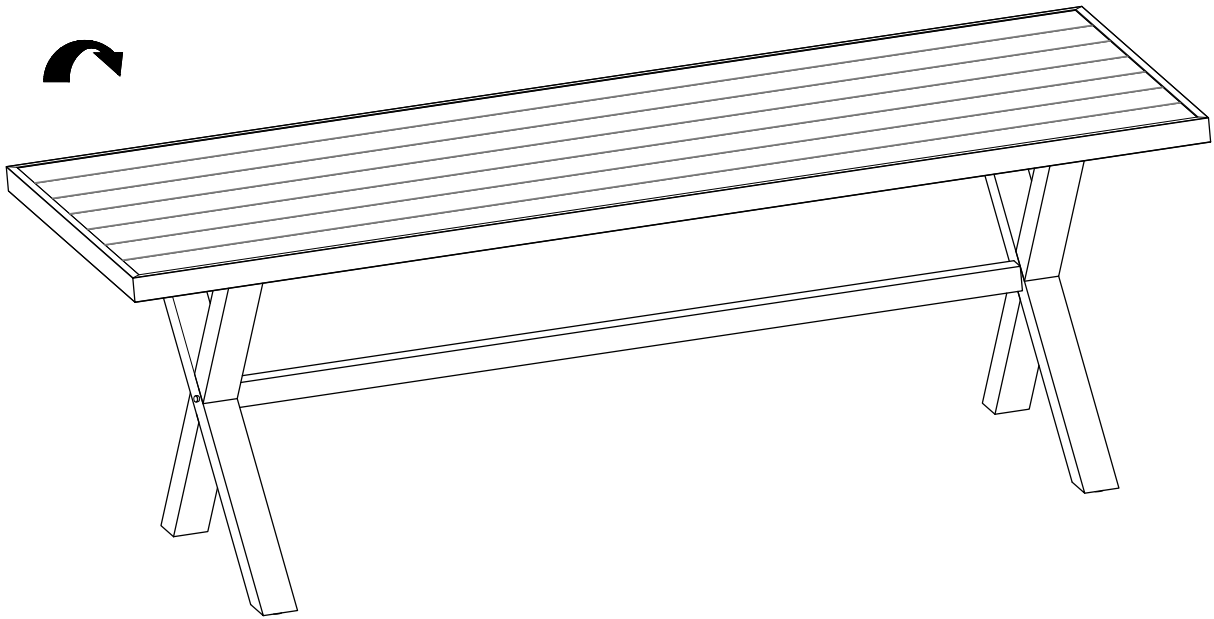


Step 4



Step 5

Turn Over



Thank You

For Your Purchase

We want you to be completely satisfied