

# Atlantic

## Classic Curveback Plastic Outdoor Patio Adirondack Chair



## Assembly Instructions

v02 US



**NewTechWood**

# Important Note

## Please Read Carefully All Sections Before You Start

For the most up to date information, please visit our website @ [www.newtechwood.com](http://www.newtechwood.com)

### 1. Parts

Before assembling, please check the packing parts carefully according to the sections on **page 2** and **page 3**, "**Tools**", "**Screw, Bolt and Nut**" and "**Components**" of this Assembly Instruction sheet. If parts are missing, please contact the retailer from which you acquired this chair to get the missing parts.

### 2. Safety

2.1 It is recommended to wear appropriate safety equipment to avoid any risk of injuries but it is not limited to the following safety equipment when assembling the Adirondack Chair: gloves, safety shoes, safety goggles, long sleeves, and pants.

2.2 We recommended assembling the Adirondack Chair by two or more people to avoid any risk of injuries. **DO NOT** attempt assembling by one person.

2.3 The Adirondack Chair is not designed for use as a standing platform or a ladder. **DO NOT** stand on the chair as there is a risk of falling and injury.

### 3. Tools

Always use the proper tools for assembly.

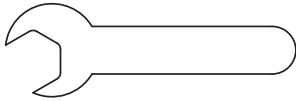

### 4. Assembling Procedure

4.1 Please follow the steps of the Assembly Instructions sheet in order.





4.2 **DO NOT** tighten all the bolts and screws until all the parts are in place and assembling in alignment. Otherwise, it should cause the assembly to be misaligned. It is recommended to turn back the bolts in one turn and turn back the screws in half-turn when the head of bolts and screws touches the parts before tightening all the bolts and screws in order.

**Warranty:** Please visit our website for full warranty @ [www.newtechwood.com](http://www.newtechwood.com)

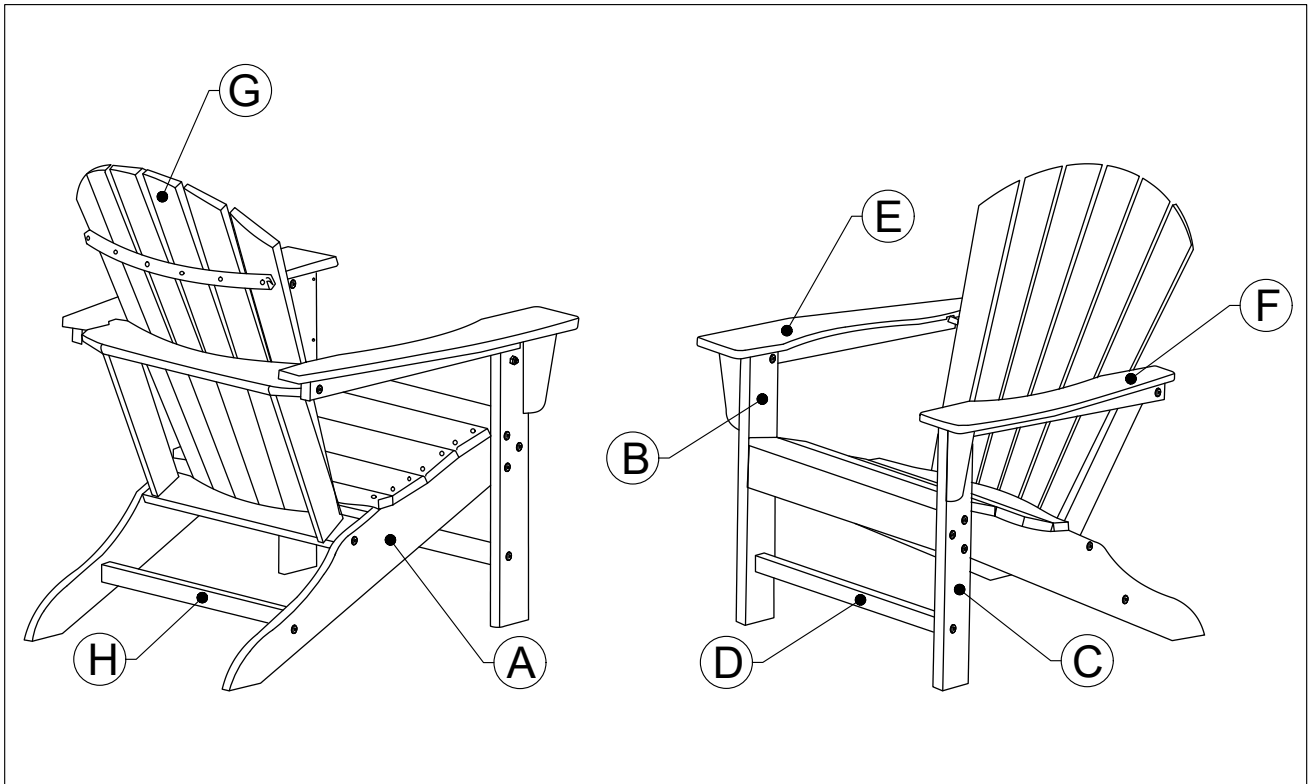
## Tools

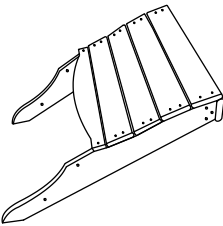
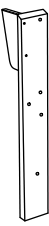
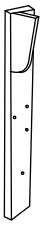

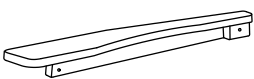

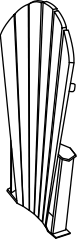

<p>T1 x 1pc</p>  <p>Wrench</p>	<p>T2 x 1pc</p>  <p>Hex Key</p>
---	---

## Screw, Bolt and Nut

<p>S1 x 8pcs</p>  <p>Bolt 1/4" x 2 3/8"</p>	<p>S2 x 8pcs</p>  <p>Nut 1/4"</p>	<p>S3 x 2pcs</p>  <p>Screw 1/4" x 3 1/8"</p>	<p>S4 x 6pcs</p>  <p>Screw 1/4" x 1 15/16"</p>
--	--	---	--

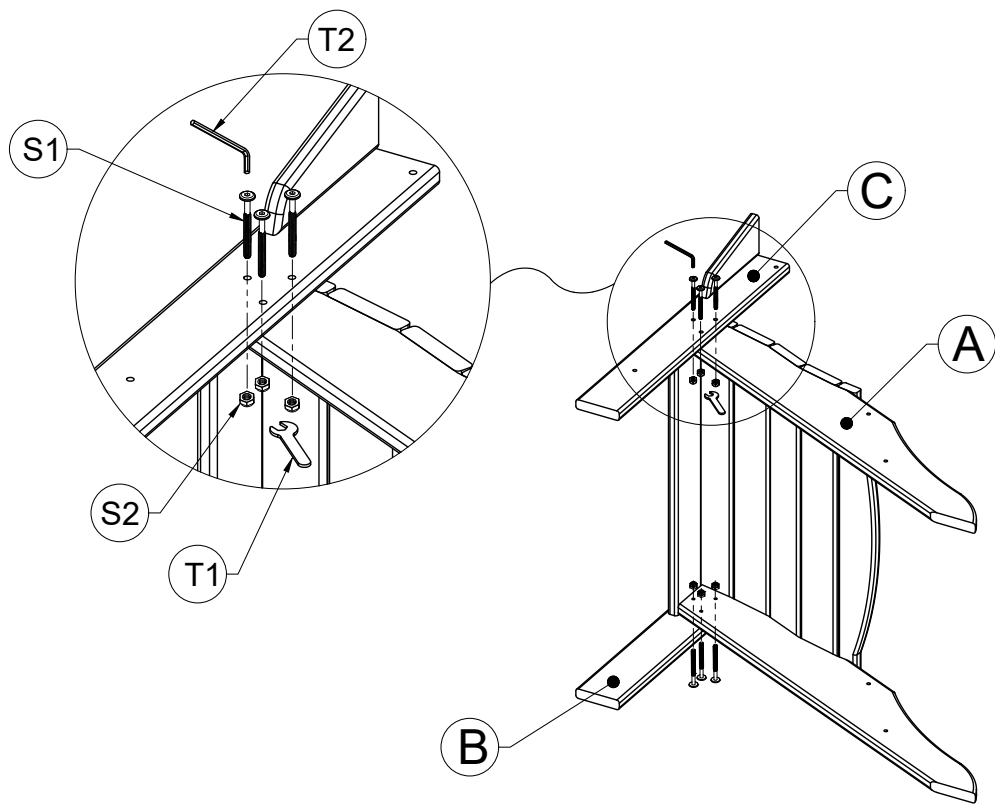
# Components



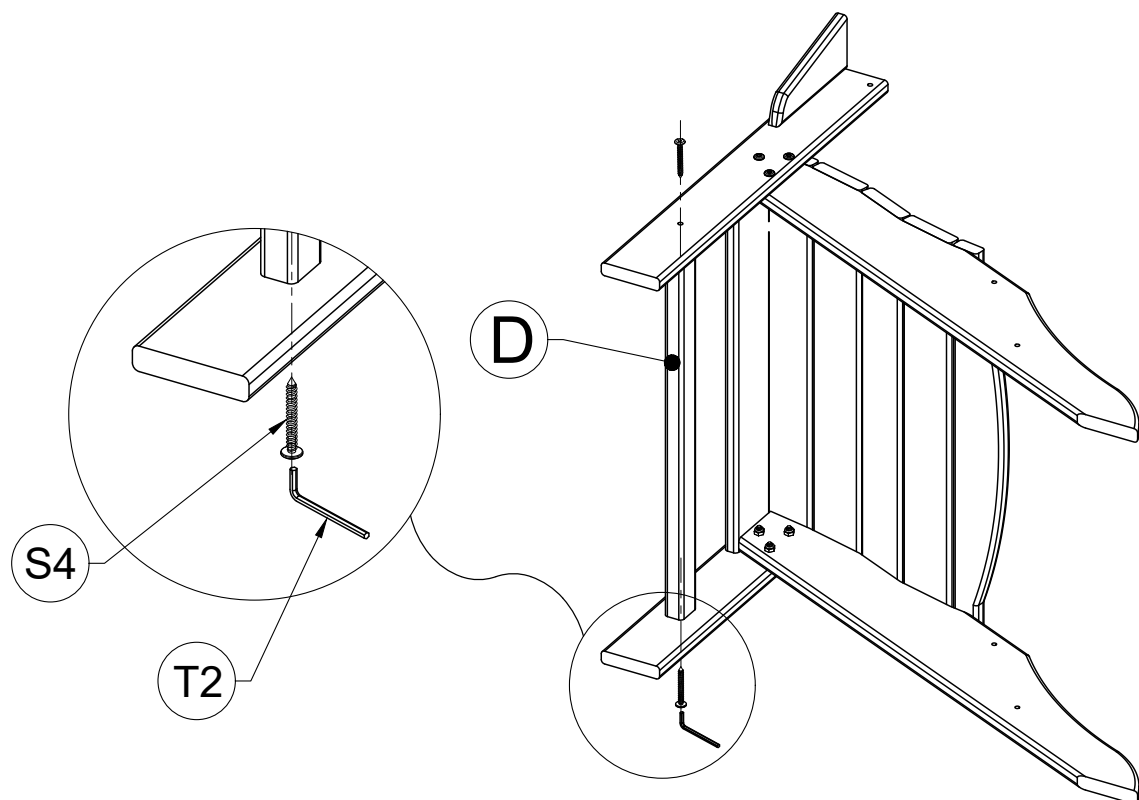
<p>(A) x 1pc</p> 	<p>(B) x 1pc</p> 	<p>(C) x 1pc</p> 	<p>(D) x 1pc</p> 
<p>(E) x 1pc</p> 	<p>(F) x 1pc</p> 	<p>(G) x 1pc</p> 	<p>(H) x 1pc</p> 

# Assembling Procedure

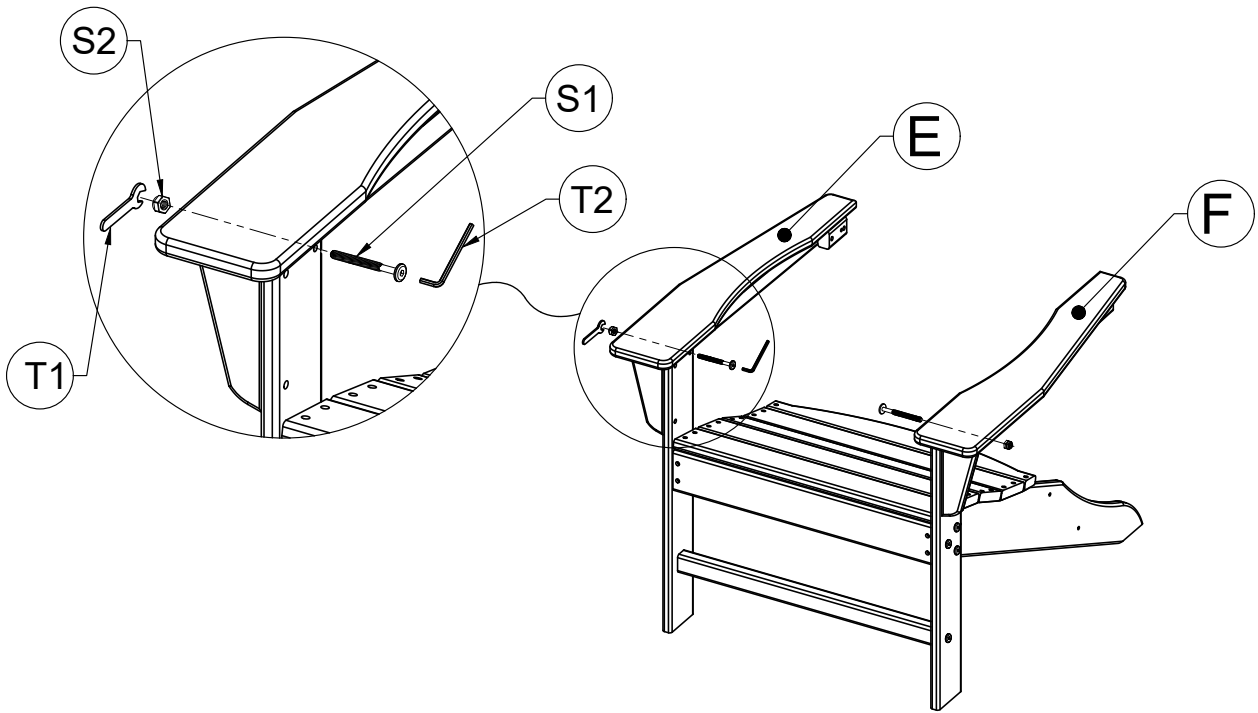
## Step 1



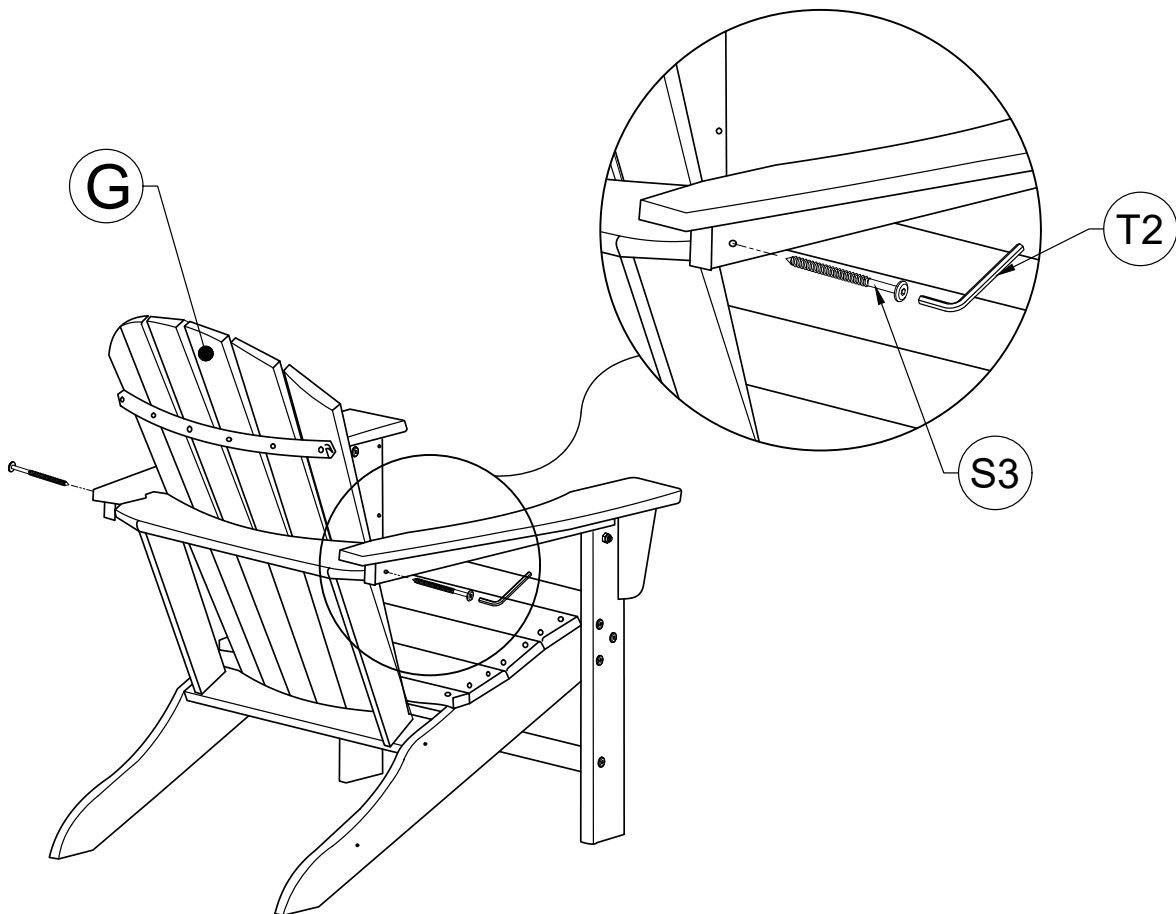
## Step 2



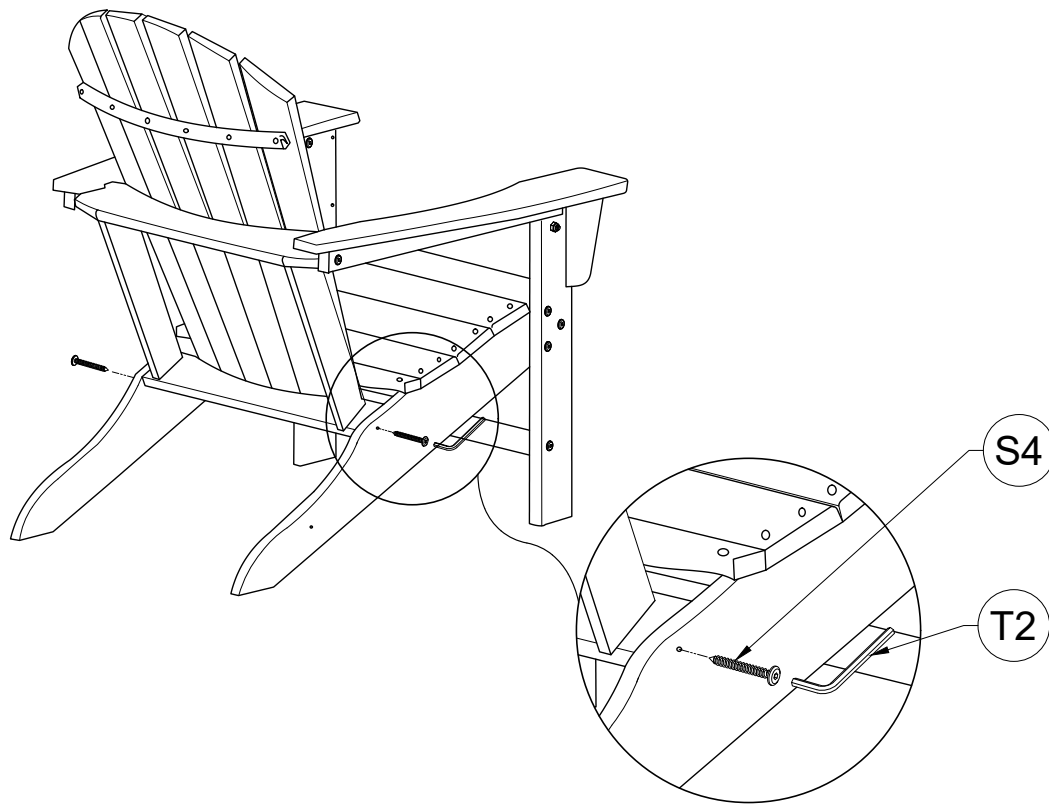
### Step 3



### Step 4



## Step 5



## Step 6

